



15301922
Edition 1
March 2009

Piggyback Assembly

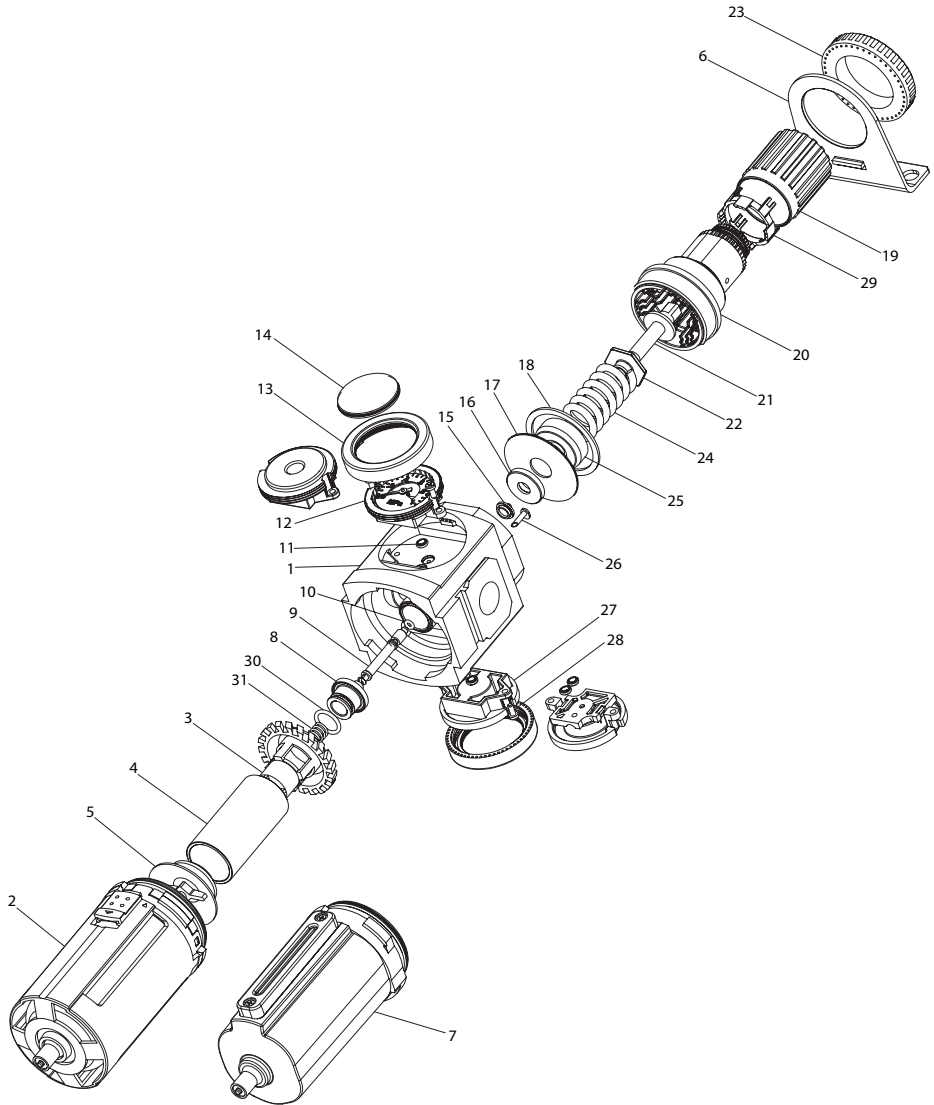
2000 Series

Parts Information



Save These Instructions

Piggyback Assembly 2000 Series P393XX-XXX Exploded Diagram

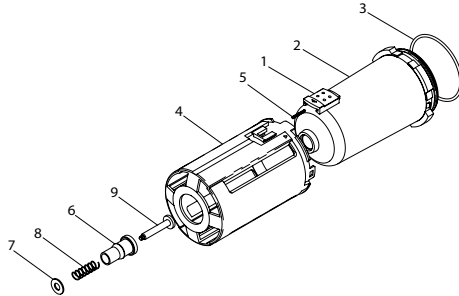


(Dwg. 15318686)

Piggyback Assembly 2000 Series P393XX-XXX Parts List

Item	Part Description	Material	Part Number	Item	Part Description	Material	Part Number		
1	Piggyback Body	Aluminum	---	15	Relief Valve Sheet	Nitrile	---		
	3/8" BSP (P393CX-XXX)		---	16	Relief Valve	Nylon	---		
	1/2" BSP (P393DX-XXX)		---	17	Diaphragm	Nitrile	---		
	3/4" BSP (P393EX-XXX)		---	18	Diaphragm Ring	Acetal	---		
	3/8" NPT (P3933X-XXX)		---	19	Handle	Nylon	---		
	1/2" NPT (P3934X-XXX)		---	20	Bonnet	Steel	---		
2	3/4" NPT (P3935X-XXX)	---	21	Adjusting Bolt	Steel	---			
	Poly Bowl (See Poly bowl Section) (P393XX-X0X)	---	---	22	Adjusting Nut	Acetal	---		
3	Deflector	Acetal	---	23	Panel Mount Nut	---	---		
4	Filter Element	Polyethylene	---	24	Adjusting Spring	Steel	---		
	0.3 Micron (P393X3-XXX)		104319		0-50 psig (P393X1-2XX)		104330		
	5 Micron (P393X4-XXX)		104317		5-125 psig (P393X1-1XX, P393X1-6XX)		104331		
	40 Micron (N/A)		104318		10-200 psig (P393X1-3XX)		104332		
5	Baffle	Acetal	---	25	Diaphragm Shell	Nylon	---		
6	L-Bracket	Steel	104405	26	Pressure Static Tube	Acetal	---		
7	Metal Bowl (See Page 4)	---	---	27	Block Cover	Nylon	---		
	(P393XX-X1X, P393XX-X2X)		---		Built In Check Valve	---			
8	Valve	Nylon	---	28	Bolt	Steel	---		
9	Stem	Nylon	---	29	Tamper Kit	Nylon	104329		
10	Stem O-Ring	Nitrile	---	30	Valve O-Ring	---	---		
11	Gauge O-Ring	Nitrile	---	31	Valve Spring	Stainless Steel	---		
12	Gauge	---	---	Service Kit (Includes Items 8, 15, 16, 17, 18, 25, 30, 31)	Relieving (P393X1-XXX)	---	---		
	0-140 psig (P393XX-6XX)		104334				Non-Relieving (N/A)	---	
13	Gauge Plate	Nylon	---				---	---	104327
13	Cover Ring	Nylon	---				---	---	104328
14	Gauge Cover	Polycarbonate	---	---	---	---			

Poly Bowl Assembly 2000 Series Exploded Diagram

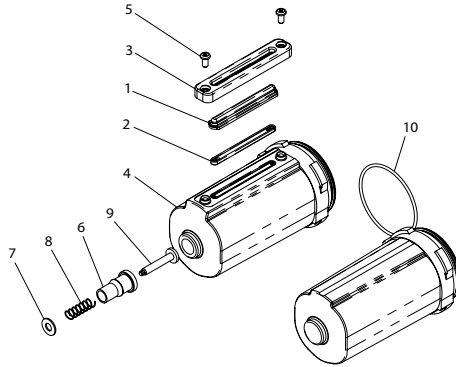


(Dwg. 15318702)

Poly Bowl Assembly 2000 Series Parts List

Item	Part Description	Material	Part Number	Item	Part Description	Material	Part Number
1	Lock Button	Nylon	---	5	Lock Button Spring	Stainless Steel	---
	(P393XX-X0X)		---		(P393XX-X0X)		---
2	Poly Bowl (Includes Items 1, 3, 4 & 5 and Drain)	Polycarbonate	---	6, 7, 8, 9	Manual Drain	Nitrile	104316
	Manual Drain (P393XX-X00)		104320		Drain Housing (P393XX-X00)		
	Auto Drain (P393XX-X04)		104321		Retainer (P393XX-X00)		
3	Bowl O-Ring	Nitrile	---	Auto Drain	Drain Spring (P393XX-X00)	Stainless Steel	104315
	(P393XX-X0X)		---		Drain Stem (P393XX-XX0)		
4	Bowl Guard	Nylon	---	(P393XX-X04)	---	---	104315
	Normal (P393XX-X00)		---				
	Longer (P393XX-X04)		---				

Metal Bowl Assembly 2000 Series Exploded Diagram



(Dwg. 15318710)

Metal Bowl Assembly 2000 Series Parts List

Item	Part Description	Material	Part Number	Item	Part Description	Material	Part Number
1	Sight Plate	Nylon	---	5	Bolt	Steel	---
	Manual Drain (P393XX-X10)		---		(P393XX-X1X)		---
2	Sight Plate Gasket	Nitrile	---	6, 7	Manual Drain	Stainless Steel	104316
	Manual Drain (P393XX-X10)		---		Drain Housing (P393XX-XX0)		
3	Sight Cover	Aluminum	---	8, 9	Retainer (P393XX-XX0)	Brass	104316
	Auto Drain (P393XX-X14)		---		Drain Spring (P393XX-XX0)		
4	Metal Bowl (Includes Item 10 and Drain)	Aluminum	---	10	Bowl O-Ring	Nitrile	---
	(Sight Glass also Includes Items 1, 2, 3 & 5)		---		(P393XX-X1X, P393XX-X2X)		
4	Manual Drain with Sight (P393XX-X10)	Aluminum	104325	Auto Drain	(P393XX-XX4)	---	104315
	Manual Drain No Sight (P393XX-X20)		104322				
	Auto Drain with Sight (P393XX-X14)		104324				
	Auto Drain No Sight (P393XX-X24)		104323				

Parts and Maintenance

When the life of the tool has expired, it is recommended that the tool be disassembled, degreased and parts be separated by material so that they can be recycled.

Tool repair and maintenance should only be carried out by an authorized Service Center.

Refer all communications to the nearest **Ingersoll Rand** Office or Distributor.

Related Documentation

For additional information refer to:

Safety Information Manual 15301765.

Product Information Manual 15301773.

Maintenance Information Manual 15301781.

Manuals can be downloaded from fluids.ingersollrand.com

Part No: 100400-69

fluids.ingersollrand.com

© 2009 **Ingersoll Rand** Company

IR Ingersoll Rand